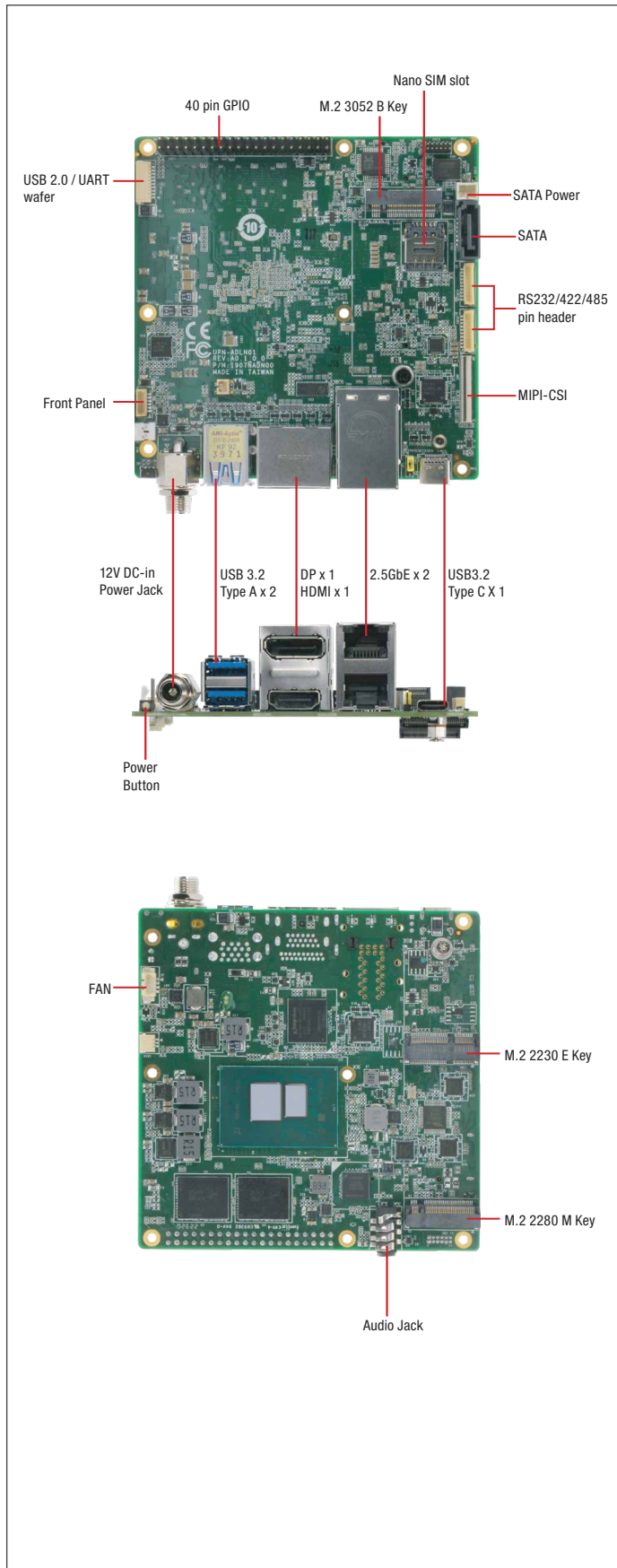


UP Squared Pro 7000

UP Squared Pro 7000 Developer Board with Intel NX50 series, Intel Atom® x7000E Series, Intel® Processor N-series, and Intel® Core™ i3-N305 Processor (formerly Alder Lake-N)



Features

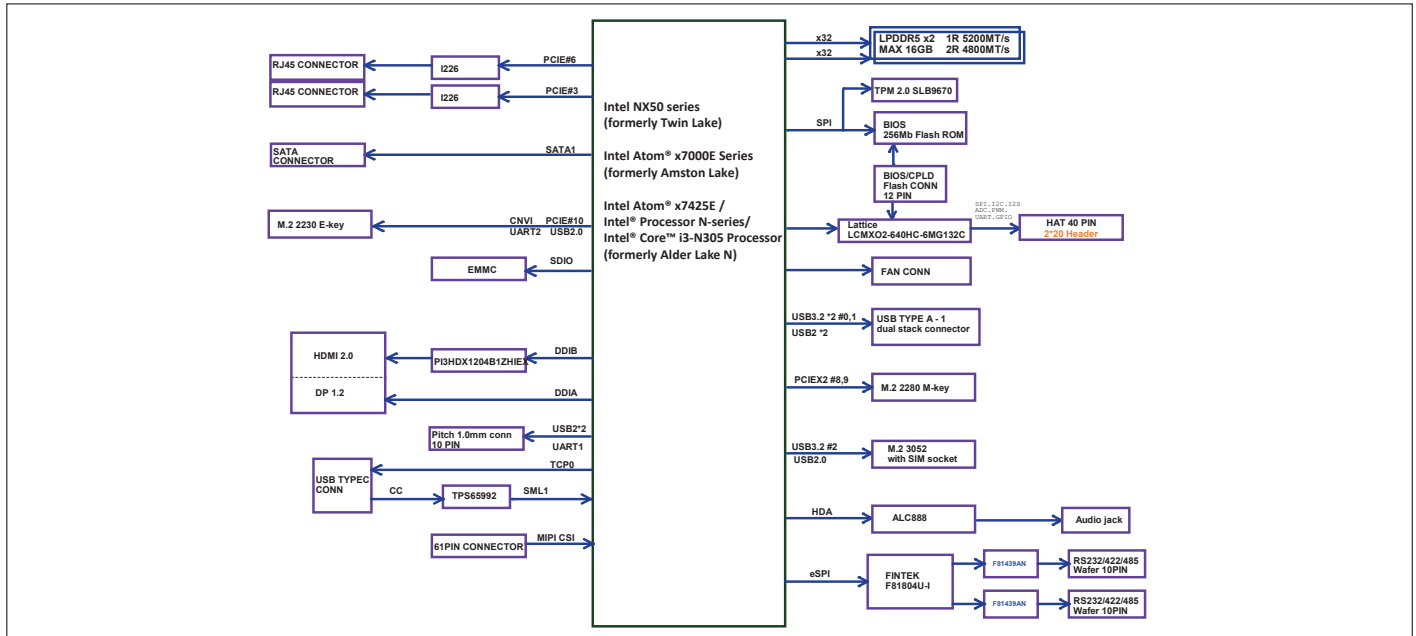
- Intel NX50 series, Intel Atom® x7000E Series, Intel® Processor N-series, and Intel® Core™ i3-N305 Processor (formerly Alder Lake-N)
- Onboard LPDDR5 Memory up to 16GB
- Onboard eMMC Storage up to 64GB
- 2.5GbE x 2 (Intel® I226-IT)
- USB 3.2 x 3 (Type A x 2, Type C x 1)
- 40-pin GPIO x 1
- DP 1.2 x 1/DP 1.4a x 1/HDMI 2.0b x 1
- RS232/422/485 Wafer x 2
- M.2 2230 E-Key/M.2 2280 M-Key/M.2 3052 B-Key x 1
- SATA III x 1
- TPM 2.0
- 12V DC-in, 6A



Specifications

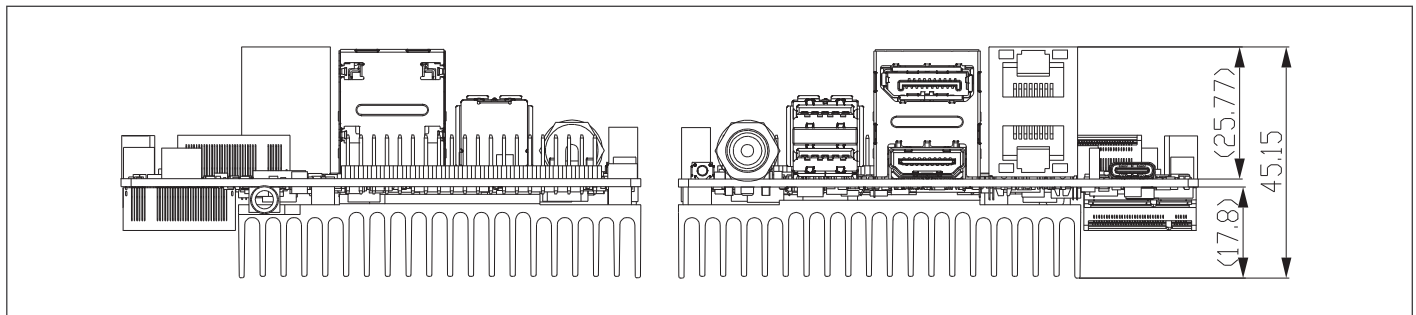
System	
Processor	Intel NX50 series (formerly Twin Lake) Intel Atom® x7000E Series (formerly Amston Lake) Intel® Core™ i3-N305 Intel Atom® x7425E Intel® Processor N97 Intel® Processor N50 (formerly Alder Lake-N)
Graphics	Intel® UHD Graphics for 12th Gen Intel® Processors
Memory	Up to 16GB LPDDR5
Storage	Up to 64GB eMMC
I/O	HDMI 2.0b x 1 DP 1.2 x 1 DP 1.4a via USB Type C Audio Jack x 1 (Mic-in+Line-out) RS-232/422/485 from 10 pin header x 2
Camera	MIPI-CSI via 61-Pin FPC Connector
USB	USB 2.0 x 2 (via 10 Pin Header x 1) USB 3.2 Gen 2 x 2 (Type-A) USB 3.2 Gen 2 x 1 (Type-C)
Expansion	40 pin GPIO x 1 M.2 2230 E-Key x 1 (CNVI, PCIe Gen 3 [x1], USB 2.0) M.2 2280 M-Key x 1 (PCIe Gen 3 [x2], USB 2.0) M.2 3052 B-Key x 1 (USB 3.2 Gen 2) SATA III x 1
Display Interface	HDMI 2.0b x 1 DP 1.2 x 1 DP 1.4a via USB Type C
Ethernet	2.5GbE x 2 (Intel® I226-IT)
Security	Onboard TPM 2.0
RTC	Yes
OS Support	Windows 10 IoT Enterprise Ubuntu 22.04 LTS Yocto 4
Power Requirement	
Power	12V DC-in, 6A
Power Supply Type	AT/ATX
Power Consumption (Typical)	26W~35W
Mechanical	
Dimension	4" x 4" (101.6mm x 101.6mm)
Net Weight	0.44 lb. (0.20Kg)
Gross Weight	0.77 lb. (0.35Kg)
Environment	
Operating Temperature	32°F ~ 140°F (0°C ~ 60°C) / 0.5 airflow, WITAS1 -4°F ~ 158°F (-20°C ~70°C)
Operation Humidity	0% ~ 90% relative humidity, non-condensing
MTBF	422,053
Certification	CE/FCC Class A, RoHS Compliant, REACH

Block Diagram



Dimension

Unit: mm



Ordering Information

Part number	CPU	Memory	Storage
UPN-ADLN50-A10-0432	Intel® Processor N50	4GB	32GB
UPN-ADLN97-A10-0432	Intel® Processor N97	4GB	32GB
UPN-ADLN97-A10-0864	Intel® Processor N97	8GB	64GB
UPN-ADLNx25E-A10-0864	Intel Atom® x7425E	8GB	64GB
UPN-ADLNi3-A10-1664	Intel® Core™ i3-N305	16GB	64GB
UPN-TWLN150-A10-0864	Intel® Processor N150	8GB	64GB
UPN-TWLN250-A10-0864	Intel® Processor N250	8GB	64GB
UPN-TWLI3-A10-0864	Intel® Core™ i3-N355	8GB	64GB

Optional Accessories

Part Number	Description
EP-PS12V6A72WFJ	12VDC/6A Adapter
EP-CBPC125V3PUS	Power cord for US
EP-CBPC250V3PEU	Power cord for EU
EP-CBPC250V3PUK	Power cord for UK
EP-CBUSB10PFL01	10pin header to USB2.0 Type A cable
1701100180	10pin header to COM D-SUB 9P

Packing List

- UP Squared Pro 7000 with heatsink